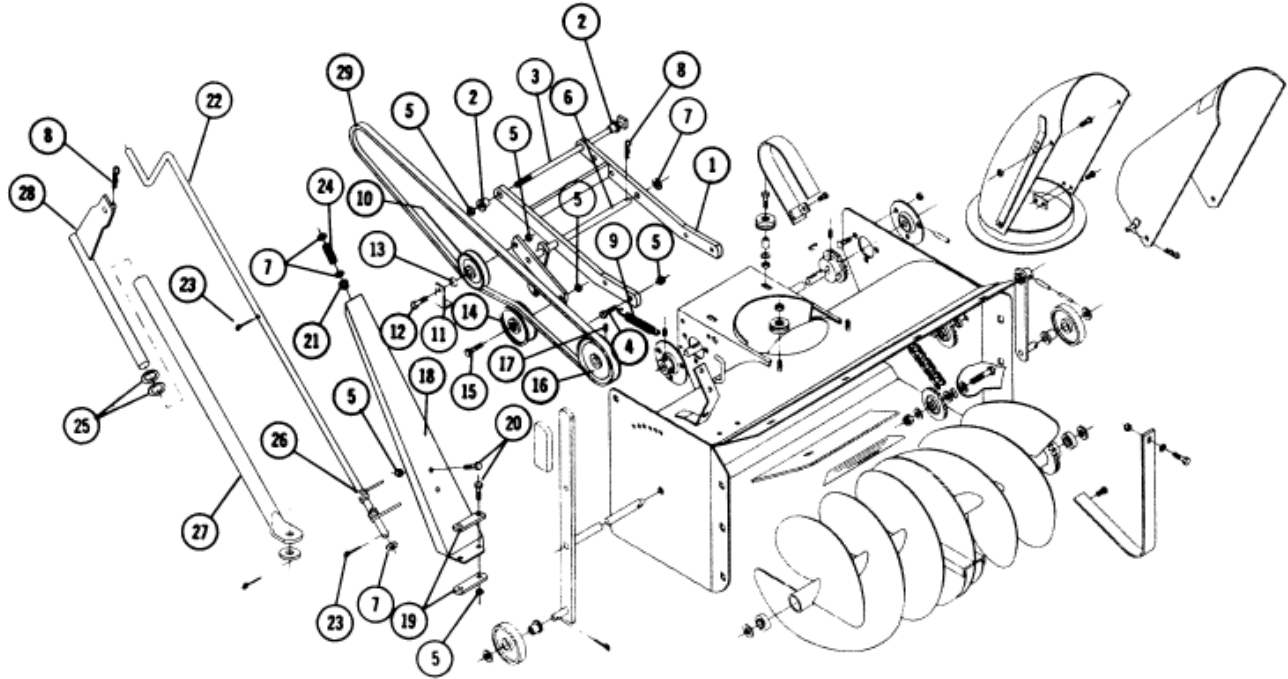




MASTER PARTS VIEWER

©2003 The Toro Company

Model: 6-9112 Year: 1972 Serial Range: None - None



6-9112 Snow Thrower-Completing Package

No.	Part	Qty.	No.	Part	Qty.
1	6424 Mounting Frame	1	16	8158 Pulley	1
2	1982 Spacer	2	17	909862-5 Set Screw	2
3	900854-4 Bolt-Hex. 3/8-16 x 8 1/2	1	18	6426 Crank Support	1
4	908033-4 Bolt 3/8-16 x 7/8	4	19	7494 Bar-Reinforcing	2
5	915113-6 Nut	11	20	908032-4 Bolt 3/8-16 x 3/4	4
6	9596 ASSY IDLER ARM *R	1	21	5982 NYLINER BUSHING	1
7	920011-4 Washer	4	22	6413 Crank	1
8	933504-4 Hairpin	2	23	932016-4 Cotter Pin	2
9	6651 SPRING *R	1	24	2354 SPRING-COMPRESSION	1
10	7451 PULLEY-IDLER	1	25	920015-4 Washer	2
11	7450 Spacer	1	26	4795 Cable	1
12	908037-4 Bolt Hex 3/8-16	1	27	101460 Tube-Lift	1
13	7672 Spacer	1	28	1986 Lid Rod	1
14	6719 Idler Pulley	1	29	9750 V-BELT	1
15	908036-4 Bolt, 3/8-16 x 1/2	1			