

PARTS LIST AND INSTRUCTIONS



WHEELHORSE PRODUCTS, INC. - SOUTH BEND, IND.

ROTARY MOWER

MODEL 5-1481



DESCRIPTION

This mower is designed to fit on 1056, 1046, 1076, 1276, 1057, 1257, 1077, 1277, 1067, 1267, Charger and Raider tractors.

The 8-3111 or PT-6 Power Take-Off unit is used on all the models listed above except the model 1046. On this model a PT-7 is used.

wheel with the long hub extension goes against the gage wheel support. Secure in place with the shoulder bolts and the two $\frac{3}{8}$ -16 jam nuts, see Fig. II. Slide the pivot arm assembly on to the shaft of the mower support as in Fig. II and secure in place with 4736 "E" ring. Remove the cam arm assembly 6727 from the pivot arm for future assembly. Attach the lift rod 6699 to the mower support. It should be put through from the right side of the lift rod plate as shown in Fig. VII. Hold in place with the hairpin cotter, Part No. 933504-4. Slide the lift stud 6739 on the lift rod and thread on a $\frac{3}{8}$ -16 elastic stop as shown in Fig. VII.

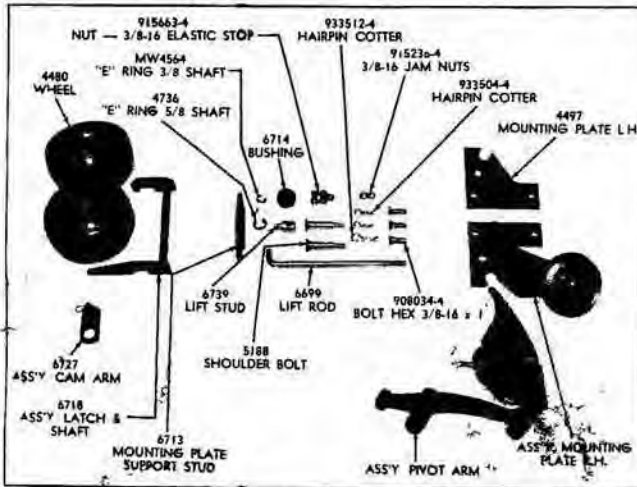


Fig. I

ASSEMBLY

To identify the loose parts, refer to Fig. I. Install the wheels to the mower. Note that the side of the

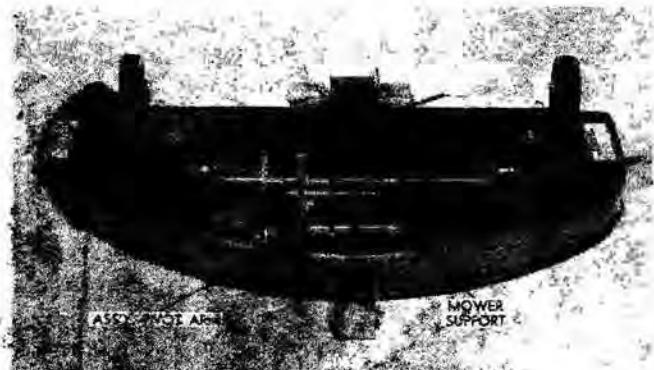


Fig. II

Mount the right hand mounting plate assembly to the tractor frame. Align the 3rd and 5th hole on the tractor frame with the two holes in the plate as shown in Fig. III. A $\frac{3}{8}$ -16 x 1" bolt is used in the front hole and the mounting plate support stud is used in the rear. Before mounting the left hand plate, 4497 the latch and shaft assembly 6720 must be positioned in between the R.H. and L.H. plates, with the notches facing the rear of the tractor as shown in Figs. III and VII.



Fig. III

Mount the cam roller bushing 6714 to the mounting plate support stud, see Fig. IV. The bushing is held in place with the MW-4564 "E" ring. Remove the tractor foot rest and slide on the cam arm assembly as shown in Fig. IV.



Fig. IV

Turn the tractor wheels all the way to the left. With the mower wheels in the lowest cut position, slide the mower under the tractor. Raise the wheels to the highest cut position. Attach lift stud 6739 in the end hole of the tractor lift lever. Note the stud is inserted from the left side, see Fig. VII. Raise the mower with the lift lever until the cross shaft of the mower support fits into the mounting plate slots. Lock in place with the latch. To keep the latch in place, insert the hairpin cotter, Part No. 933512-4 in the front hole of the left hand mounting plate. Slide the shaft of the cam arm assembly 6727 through the hole in the pivot arm and fasten the hairpin cotter. The cam plate should ride in the cam roller bushing as shown in Fig. V.



Fig. V

Thread the belt on the pulley as shown on the belt decal located on cutter housing. (See Fig. V and Fig. VI.)



Fig. VI

ADJUSTMENTS

To adjust the belt tension loosen the bolt on the side of the cam plate and thread the belt tension nut in or out, see Fig. V.

To adjust the cutting height raise the mower with the tractor lift lever to release the weight from wheels. Lift the height control rod and rotate to the notch desired.

Thread the nut down on the lift rod until the mower support is locked against the frame in the up position.

OPERATION

To start the mower push the clutch arm to the left, this engages the clutch. To stop mower move the clutch arm to the right, this disengages the clutch.

CUTTING GRASS

For best cutting the tractor should operate at full throttle and approximately $3\frac{1}{2}$ M.P.H. In extremely

heavy cutting it may be necessary to slow to 1½ M.P.H. When mowing extra tall grass, raise the mower to the travel position and cut. Then recut at normal position. Don't cut grass too short. The recommended height is 2 to 3 inches.

MAINTENANCE

For best results, it is recommended that the mower be removed from tractor for blade maintenance.

When blades become dull, remove and regrind.

CAUTION: Sharpen evenly on both ends to maintain blade balance. Inspect blades frequently, (especially after hitting an object) tighten blade mounting bolt if necessary. Each blade spindle has a grease fitting visible through a hole in the top of the deck.

Apply grease to the fitting till the grease comes out at the blade cup. The unit should be greased every 50 hours of use. A regular lubricating pressure gun can be used.

MOWER REMOVAL

To remove the mower from the tractor, pull the hairpin cotter from the lift rod and drop the lift rod. Remove the belt from the Power Take-Off. Pull the hairpin cotter from the left hand mounting plate and pull forward up on the left hand to drop the mower support. Turn the tractor wheels to the left and pull the mower from under the tractor. **NOTE:** The hairpin cotter should be inserted through the rear hole in the L.H. Mtg. plate to hold the lawn up when the tractor is being operated without the mower.

SAFETY TIPS

FOR RIDING LAWN MOWERS, GARDEN TRACTORS AND ATTACHMENTS

1. Know the controls and how to stop quickly — READ THE OWNERS' MANUAL.
2. Do not allow children to operate machine; nor adults to operate it without proper instruction.
3. Clear work area of objects which might be picked up and thrown.
4. Disengage all clutches and shift into neutral before starting motor. Keep hands, feet and clothing away from power-driven parts.
5. Do NOT carry passengers. Keep children and pets a safe distance away.
6. Never direct discharge of any material toward bystanders nor allow anyone near machine while in operation.
7. Disengage power to any attachment and stop motor before leaving operation position.
8. Take precautions when leaving machine unattended (to avoid accidental starting, rolling away, accidental dropping of any attachment, etc.)
9. Disengage power to any attachment whenever it is not in use or when traveling from one work area to another.
10. Stay alert for holes and other hidden hazards.
11. Know what is behind you before backing up.
12. Beware of steep slopes; reduce speed on all side slopes and sharp turns to prevent tipping or losing control.
13. Don't stop or start suddenly when going uphill or downhill.
14. Use extra care when pulling loads or using heavy equipment. (Refer to your owner's manual.)
15. Watch out for traffic when near roadways.
16. Handle gasoline with care — it is highly flammable.
 - A. Use approved gasoline container.
 - B. Never add gasoline to a running motor — fill tank out of doors and wipe up spilled gasoline.
 - C. Replace gasoline cap securely.
 - D. Open doors if motor is run in garage — exhaust gases are dangerous.
17. Keep machine in good operating condition and keep safety devices in place. Use guards as instructed in owner's manual.
18. Disengage power to any attachment and stop motor before making repairs or adjustments.

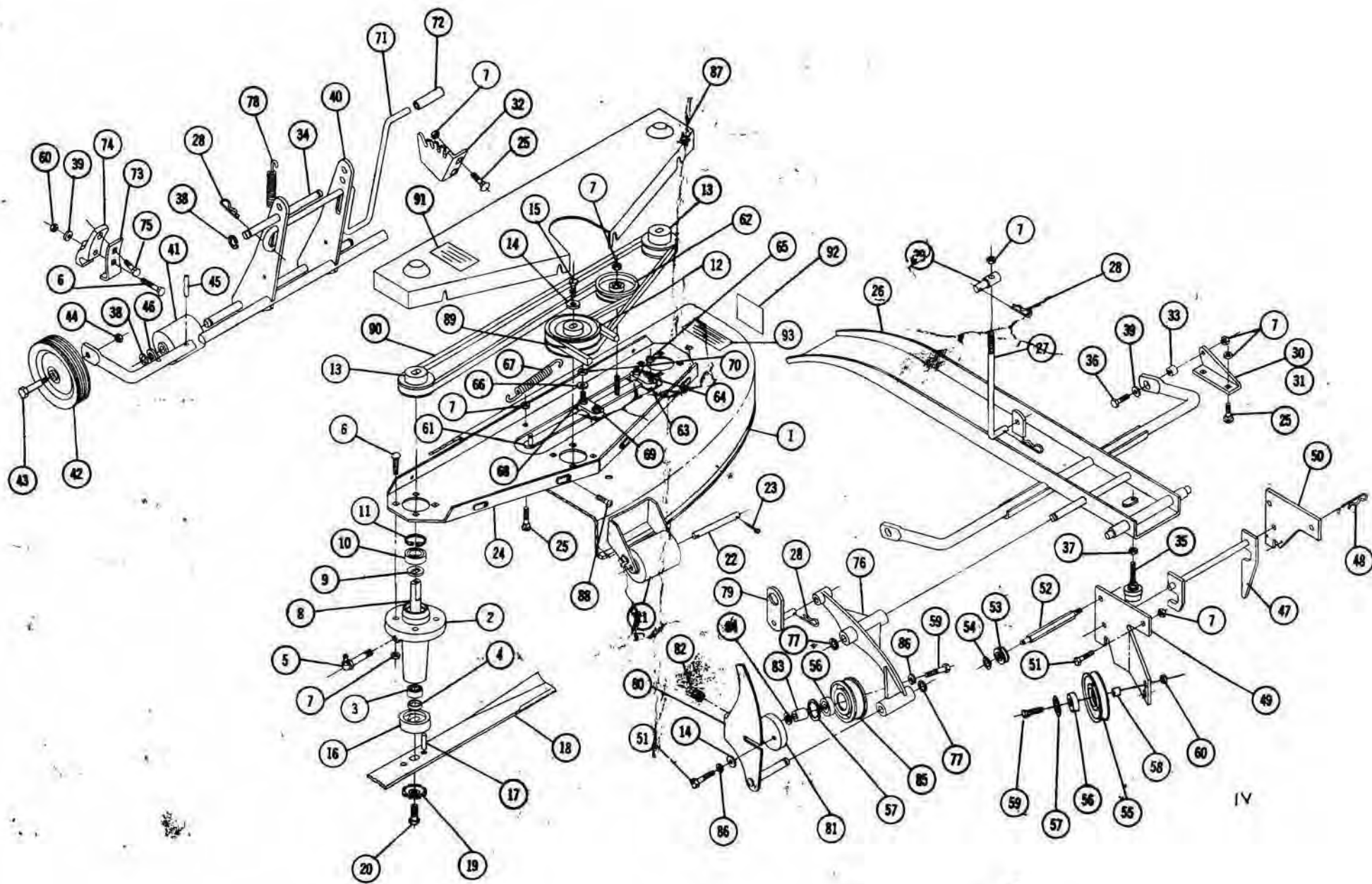


Fig. VII

Wheel Horse Service Bulletins 1961 - 1990: **#94** Issued: March 1968

42" & 48" Rotary Mowers - Models RL426, RL486, 5-1421, 5-1481

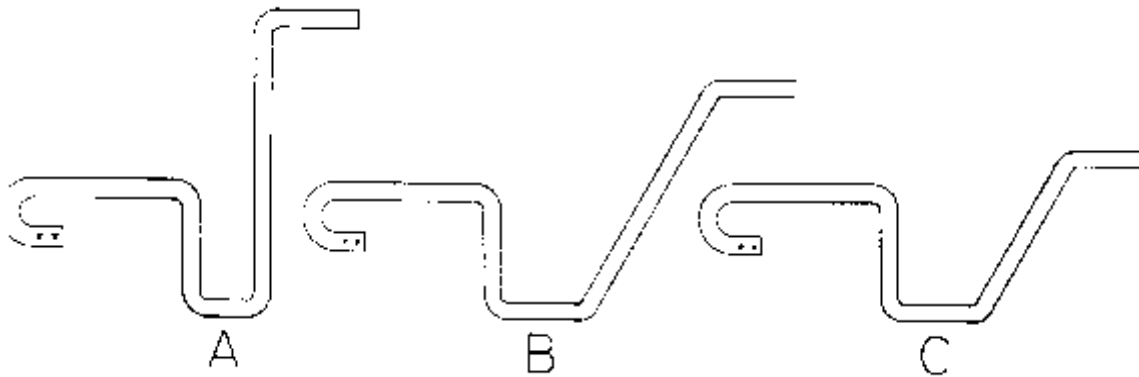
[Previous](#) [Table of Contents](#) [Next](#)

Mower Installation & Removal

To facilitate the installation and removal of the 42" & 48" mowers we suggest that the cam arm assembly #6727 be installed on the foot rest support with the shaft pointing outward. Installation of the cam arm in this position allows the mower to be removed and installed without disturbing the foot rest as used on the Charger and Raider models.

Height Control

Since the introduction of the RL series mowers, three (3) different height control rods have been used as shown in the accompanying sketch. The early rod (type A) may interfere with the tractor foot rest on late model (Charger & Raider) tractors. The type A rod (6721) may be modified to the type B configuration which will provide additional clearance. If desired, for more convenience, the latest type C rod #7677 may be installed.



Wheel Horse Service Bulletins 1961 - 1990: **#97** Issued: April 1968

Rotary Mower Changes - Models 5-1362, 5-1421, 5-1481

[Previous](#) [Table of Contents](#) [Next](#)

To insure better tractor to mower belt alignment, minor changes have been incorporated in the above mowers.

These changes are described below and are applicable when mounting these mowers on all long frame tractor models.

Model 5-1362 Mower

Bushing #1536 (3/16" long) located between idler pulley #1623 and idler cam assembly \$6636 has been replaced by spacer #2138 (3/8" long). A #1536 bushing is still used between the outside of the pulley and the #6360 bracket.

Model 5-1421 5-1481

Bushing #1967 (5/16" long) located between idler pulley #4974 and the R. H. mounting plate #6712 has been replaced by #6638 (7/16" long).

In addition to the above spacer change a 3/8" washer #920009-4 has been added to the 3/8"-16 x 1 1/4" bolt between the 3/8" lock washer and the ball bearing and pulley assembly. The addition of the washer prevents the possibility of the bolt bottoming on the #7068 cam lever.

Electro Clutch Models

For proper belt alignment the electric clutch should be positioned on the crankshaft all the way against the shoulder in the clutch bore. The clutch is secured on the shaft with two set screws.

Wheel Horse Service Bulletins 1961 - 1990: **#221b** Issued: March 1984
Mower Spindle Service Information 1972 and Prior 42 & 48" Mowers

[Previous](#) [Table of Contents](#) [Next](#)

THIS BULLETIN SUPERSEDES BULLETIN 221A, ISSUED APRIL 1981

To All Dealers:

1. Subject

1.1 The following information is supplied to assist you in identifying available service parts.

NOTE - All mowers using the spindles listed below can be converted to the latest greaseable type refer to Service Bulletin 207A.

2. Service Action

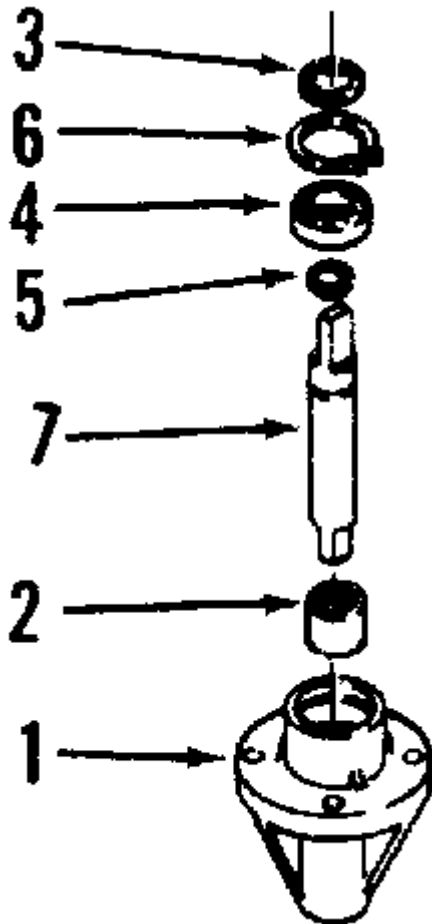
2.1 Spindle Housing #4299 or 8139 (No longer available).

2.1.1 Mowers RM-483, RM-484, RM-485, 5-5481 - Order the parts for S/A 101685 Spindle listed in Par. 2.2 below. Also order a 106848 (Double Groove) or a #106849 (Single Groove) Double "D" pulley, as needed, plus a #11Q242 bolt and #2844 washer, for each spindle being serviced.

2.1.2 Mowers RM-425, RL-426, RL-486, 5-0481, 5-1000, 5-1001, 5-1200 5-1421, 5-1422, 5-1423, 5-1481, 5-1482, 5-1483 - Order the parts for S/A 101685 Spindle listed in Par. 2.2 below.

2.2 S/A 101685 Spindle Assembly (Replaced 101550 Spindle Assembly) No longer available assembled.

2.2.1 Make up the spindle assembly using component parts:



Ref. No.	Part No.	Description
1	102775	Housing
2	100289	Needle Bearing
3	105819	Thrust Washer
4	101411	Ball Bearing
5	104822	Snap Ring (Shaft)
6	936029	Snap Ring (Housing)
7	104982	Shaft

2.2.2 When building a complete assembly from parts, fill housing with 1-1/2 ounces of #2 multi-purpose lithium base grease.

* Bulletin is Greatly Revised to Update Information *

2.3 Spindle Shaft #4393 (No longer available), RM-483 Mower.

2.3.1 Use S/A 109094, which contains:

Qty.	Part No.	Description
1	5217	Spindle Shaft
1	1005	Sq. Key 3/16 x 1
1	110242	Eslok Bolt 3/8-16 x 7/8 Special

1 2844 Special Washer

2.4 Spindle Shaft #5875 (No longer available) - Mowers RM-425, RL-426, RL-486, 5-0481, 5-1000, 5-1001, 5-1200, 5-1421, 5-1422, 5-1423, 5-1481, 5-1482, 5-1483.

2.4.1 S/A 101686 replaces #5875 shaft. Part Numbers and assembly follow:

<u>Qty.</u>	<u>Part No.</u>	<u>Description</u>
1	104982	Shaft
1	104822	Snap Ring (Below Ball Bearing, in snap ring groove)
1	105819	Washer (Between Pulley & Ball Bearing)