

PARTS LIST
AND
INSTRUCTIONS



CLEVIS "TYPE A" HITCH



WHEEL HORSE
lawn & garden tractors

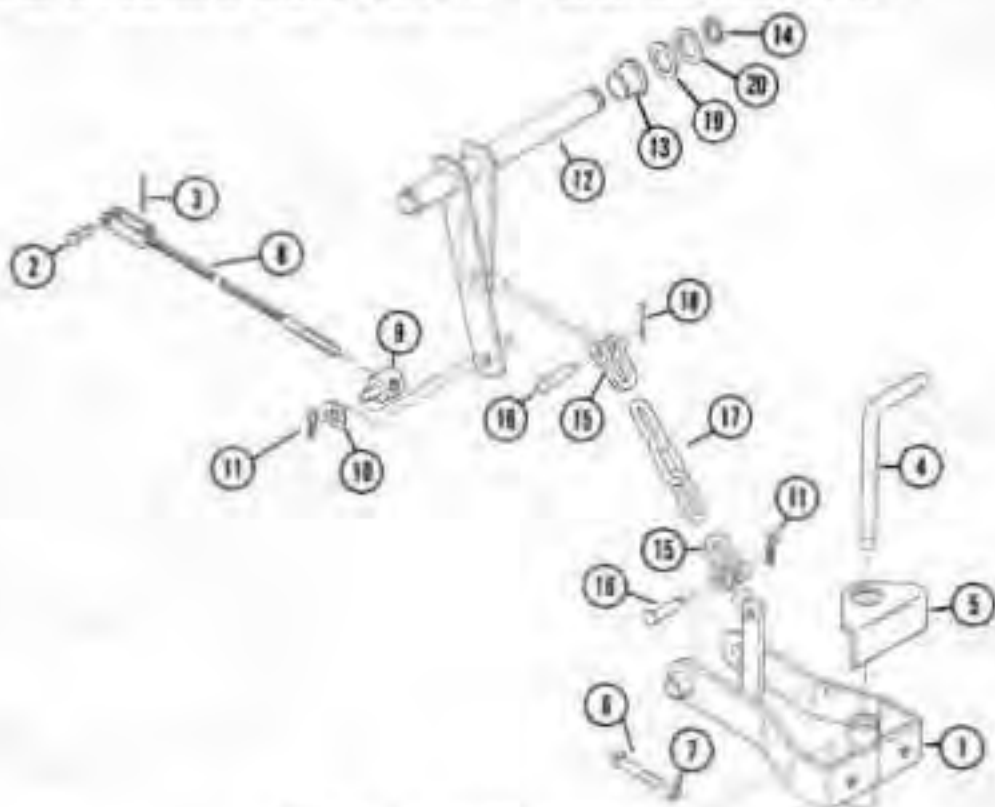
8-5513

OPERATING INSTRUCTIONS

For tools requiring stabilization (elimination of side movement), turn stabilizer bolts clockwise against stabilizer plate after tool is connected to hitch. Lock

stabilizer bolts by tightening jam nuts. (NOTE: Stabilizer will have to be loosened before implement can be removed from hitch.)

DO NOT Stabilize Mold Board Pile



PARTS LIST — CLEVIS "TYPE A" HITCH FACTORY ORDER NUMBER B-5513

Parts available only through Authorized Dealers.
When ordering parts always list Part Number and Description.
(Specifications subject to change without notice.)

ITEM NO.	PART NO.	DESCRIPTION	NO. REQD.
1	105441	Hitch Assembly	1
2	802120	Pin	1
3	832050	Cotter Pin	1
4	8228	Hitch Pin	1
5	8028	Plate — Hitch Adjustment	1
6	809677	Sq. Hd. Set Screw 1/16 x 2	2
7	915238	Jam Nut 1/2-13	2
8	105542	Lift Cable Assembly	1
9	104624	Trunnion	1
10	920069	Washer, 1/2 SAE	1
11	833804	Hairpin Cotter	1
12	105539	Lower Assembly	1
13	8254	Bushing	1
14	8818	"E" Ring	1
15	105520	Clevis	1
16	105831	Clevis Pin	1
17	105644	Lift Chain	1
18	912017	Cotter Pin	1
19	1278	.050" Shim Washer	1
20	5210	.015" Shim Washer	1

DESCRIPTION

The 8-5513 is designed for use with all 1976 "B" and "C" Series gasoline powered tractors. To install the hitch on 1975 and prior "B" or "C" Series tractors or on 1973 and prior Long Frame tractors, the 8-5513 must be used in conjunction with Service Assembly #10304.

INSTALLATION

Slip the lift lever assembly into the two holes at the top of the uprights of the rear seal pin support bracket (Fig. 1). The larger lift arm should be on the left side of the lift lever. Slip a bushing into each hole and secure the lift lever with an "E" ring outside of the bushings (Fig. 1).



FIG. 1 Mount Lift Lever

The lift cable assembly is installed into the tube provided on top of the transmission. The cable is inserted from the front of the tube, by ending the threaded stud of the cable into the tube.

Attach the Clevis (on the front side of the cable) to the lower hole of the tractor lift arm using a clevis pin and cotter pin.

Insert the trunion onto the threaded stud of the lift cable.



FIG. 2 Install Trunion and Cable

Slip the bushing into the long arm of the lift lever and secure with a washer and flange nut.



FIG. 3 Mount Trunion into Long Lift Arm

Remove one of the retaining rings from the shaft that holds the Driveline Hitch to the transmission. Remove the shaft and discard the felt spacers that center the Driveline Hitch.

Install the Clevis Hitch between the Driveline Hitch and the transmission case. Reinstall the shaft and replace the retaining ring.



FIG. 4 Install Clevis Hitch

Install the Wire Line Chain between the smaller lift arm and the clevis hitch. The top clevis is retained by a clevis pin and a cotter pin. The lower clevis is retained by a clevis pin and flange nut.



FIG. 5 Install Lift Chain



335 West Ireland Road, South Bend, Indiana 46614